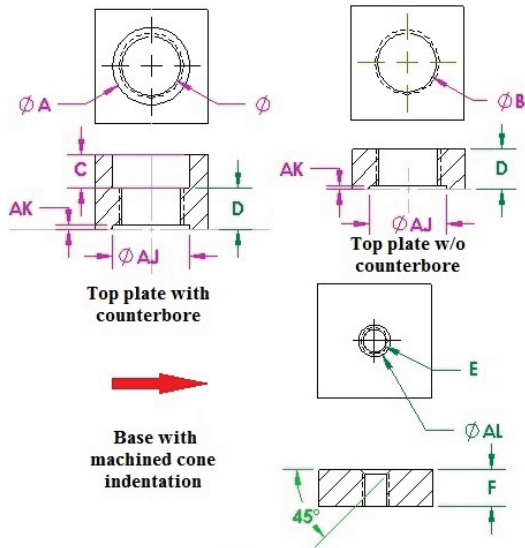


How to prepare your parts?

(for the base with machined cone indentation – advanced version of the base is shown on Sheet 2)

(Red dimensions in the table)



November 2017

AFAB Kit ALIGNMENT ASSEMBLY - CHART 1 ADV – Sheet 1
AK000 FAMILY CHART – GENERAL DIMENSIONS (IMPERIAL)

NOTE! All dimensions are expressed in 0.001" unless otherwise specified

PART NO	CONFIGUR.	Stroke	A	B=O	C	D	E	Fmin	AJ	AK	AL	G	H	I
AK000000	02-56-56-03	0.030	276	8-56	126	113	2-56	107				96	150	266
AK000001	02-56-56-05	0.050	276	8-56	126	133	2-56	252				96	150	266
AK000002	02-56-80-03	0.030	276	8-80	126	113	2-56	107				96	150	266
AK000003	02-56-80-05	0.050	276	8-80	126	133	2-56	252				96	150	266
AK000004	04-40-40-04	0.040	340	12-40	162	145	4-40	190	235	35	190	125	198	330
AK000005	04-40-40-07	0.070	340	12-40	162	175	4-40	220	235	35	190	125	198	330
AK000006	04-40-64-04	0.040	340	12-64	162	145	4-40	190	235	35	190	125	198	330
AK000007	04-40-64-07	0.070	340	12-64	162	175	4-40	220	235	35	190	125	198	330
AK000008	06-32-32-04	0.040	382	1/4-32	192	165	6-32	291	300	35	210	150	241	370
AK000009	06-32-32-08	0.080	382	1/4-32	192	205	6-32	331	300	35	210	150	241	370
AK000010	06-32-60-04	0.040	382	1/4-60	192	165	6-32	291	300	35	210	150	241	370
AK000011	06-32-60-08	0.080	382	1/4-60	192	205	6-32	331	300	35	210	150	241	370

Please Note! Dimensions AJ and AK are relevant only for an application with an insert.

PART NO	J	K	L	M	N	O	P	r	S	Tl	U	V	Vl	W	Tool
AK000000	64	116	60	86	60	135	28 - 0.002		60		31 + 0.002	2-56x1/4		5/64	TL001000
AK000001	64	116	60	86	80	135	28 - 0.002		80		31 + 0.002	2-56x3/8		5/64	
AK000002	64	116	60	86	60	135	28 - 0.002		60		31 + 0.002	2-56x1/4		5/64	
AK000003	64	116	60	86	80	135	28 - 0.002		80		31 + 0.002	2-56x3/8		5/64	TL001004
AK000004	63	152	70	112	70	175	40	121	70	164	47	4-40x3/8	4-40x1/2	3/32	
AK000005	63	152	70	112	100	175	40	121	100	194	47	4-40x3/8	4-40x1/2	3/32	
AK000006	63	152	70	112	70	175	40	121	70	164	47	4-40x3/8	4-40x1/2	3/32	TL001008
AK000007	63	152	70	112	100	175	40	121	100	194	47	4-40x3/8	4-40x1/2	3/32	
AK000008	78	182	80	138	70	200	52	128	70	189	62	6-32x1/2	6-32x1/2	7/64	
AK000009	78	182	80	138	110	200	52	128	110	229	62	6-32x1/2	6-32x1/2	7/64	
AK000010	78	182	80	138	70	200	52	128	70	189	62	6-32x1/2	6-32x1/2	7/64	
AK000011	78	182	80	138	110	200	52	128	110	229	62	6-32x1/2	6-32x1/2	7/64	

Dimensions of the features of components of advanced AFAB Kits

(Blue dimensions in the table)

