

# Dimensions of the features of components of advanced AFAB Kits

Fig. 1. (Blue dimensions in the table)

## How to prepare your parts? Machining holes in the base.

Fig. 2 (Red dimensions in the table)

### Please note!

1. Preparation of the top plate is the same as for the standard parts and is shown on Sheet 1.
2. The feature denoted by \* is optional. Dimensions should be determined by a designer implementing the AFAB kits.

PART NO	a	b	c	d	e	f	g	h	i	j	k	l	m	n	o	p
AK000000						2-56					8-56					
AK000001						2-56					8-56					
AK000002						2-56					8-80					
AK000003						2-56					8-80					
AK000004	225	130	35	10	200	4-40	250	45	94	415	12-40	31	63	3/8-40	25	145
AK000005	225	130	35	10	200	4-40	250	45	94	415	12-40	31	63	3/8-40	25	175
AK000006	225	130	35	10	200	4-40	250	45	94	415	12-64	31	63	3/8-40	25	145
AK000007	225	130	35	10	200	4-40	250	45	94	415	12-64	31	63	3/8-40	25	175
AK000008	300	160	35	10	220	6-32	313	45	120	415	¼-32	31	63	3/8-40	25	165
AK000009	300	160	35	10	220	6-32	313	45	120	415	¼-32	31	63	3/8-40	25	205
AK000010	300	160	35	10	220	6-32	313	45	120	415	¼-60	31	63	3/8-40	25	165
AK000011	300	160	35	10	220	6-32	313	45	120	415	¼-60	31	63	3/8-40	25	205

PART NO	q	s	t	u	v	w	x	y	z	AA	AB	AC	AD	AE	AF	AG	AH
AK000000	*		*														
AK000001	*		*														
AK000002	*		*														
AK000003	*		*														
AK000004	*	282	*	140	60	35	31	245	315	260	330	240	100	180	205	255	20
AK000005	*	282	*	140	60	35	31	245	315	260	330	240	100	180	205	255	20
AK000006	*	282	*	140	60	35	31	245	315	260	330	240	100	180	205	255	20
AK000007	*	282	*	140	60	35	31	245	315	260	330	240	100	180	205	255	20
AK000008	*	382	*	160	65	35	31	310	382	330	397	300	105	205	250	320	29
AK000009	*	382	*	160	65	35	31	310	382	330	397	300	105	205	250	320	29
AK000010	*	382	*	160	65	35	31	310	382	330	397	300	105	205	250	320	29
AK000011	*	382	*	160	65	35	31	310	382	330	397	300	105	205	250	320	29

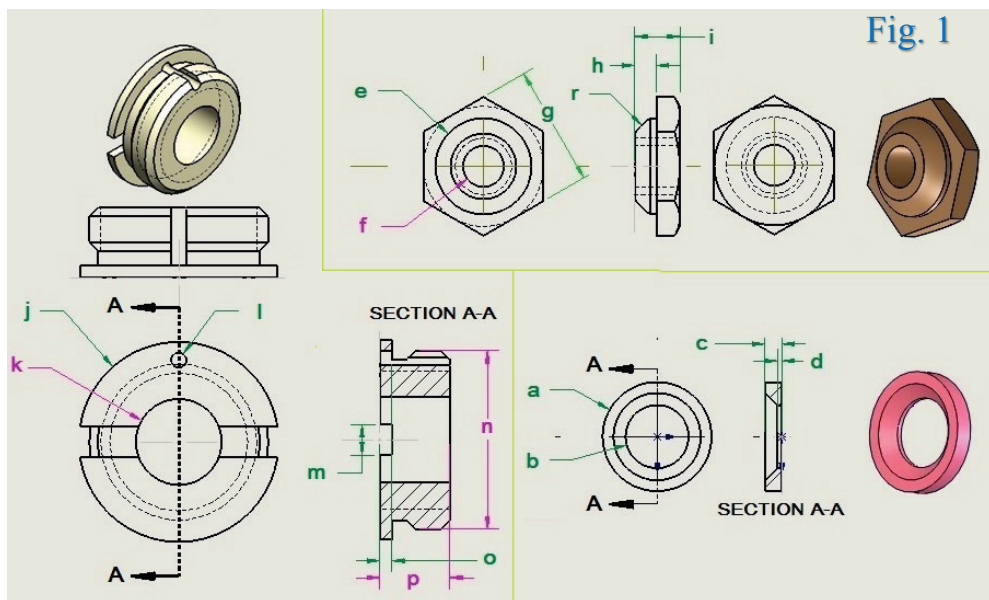


Fig. 1

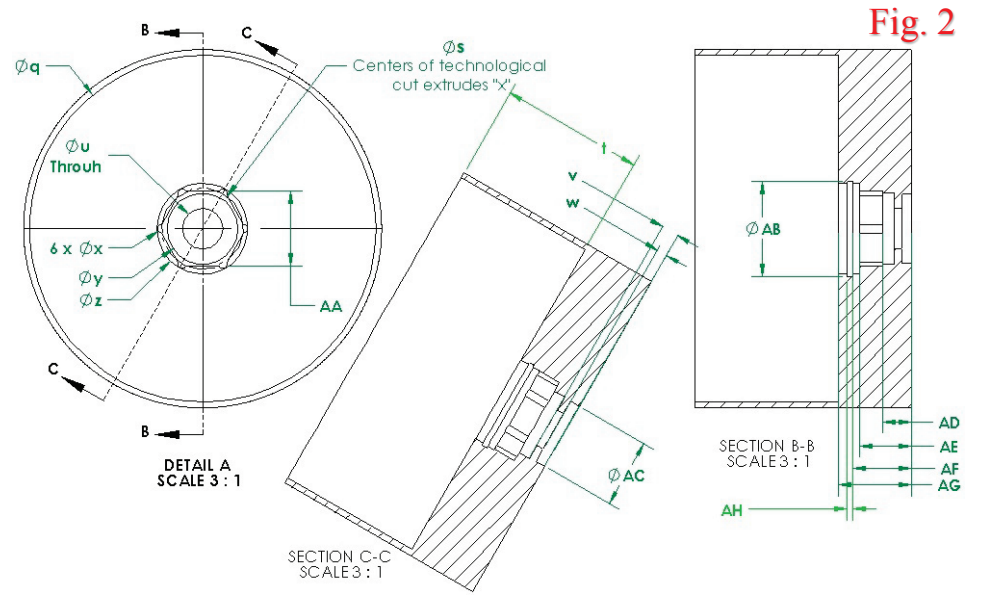


Fig. 2