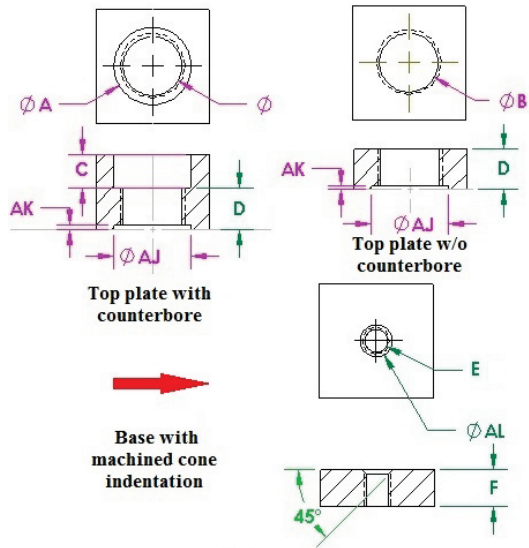


# How to prepare your parts?

(for the base with machined cone indentation – advanced version of the base is shown on Sheet 2)

**(Red dimensions in the table)**



PART NO	CONFIGUR.	Stroke	A	B=Q	C	D	E	Fmin	AJ	AK	AL	G	H	I
AK000012	08-32-32-05	0.050	475	5/16-32	224	175	8-32	275	343	66	293	176	285	464
AK000013	08-32-32-10	0.100	475	5/16-32	224	225	8-32	350	343	66	293	176	285	464
AK000014	08-32-56-05	0.050	475	5/16-56	224	175	8-32	275	343	66	293	176	285	464
AK000015	08-32-56-10	0.100	475	5/16-56	224	225	8-32	350	343	66	293	176	285	464
AK000016	10-32-32-06	0.060	568	3/8-32	255	193	10-32	252	400	69	348	210	350	556
AK000017	10-32-32-11	0.110	568	3/8-32	255	243	10-32	327	400	69	348	210	350	556
AK000018	10-32-56-06	0.060	568	3/8-56	255	193	10-32	252	400	69	348	210	350	556
AK000019	10-32-56-11	0.110	568	3/8-56	255	243	10-32	327	400	69	348	210	350	556
AK000020	1/4-28-28-08	0.080	664	7/16-28	320	227	1/4-28	338	500	90	428	264	390	650
AK000021	1/4-28-28-15	0.150	664	7/16-28	320	297	1/4-28	393	500	90	428	264	390	650
AK000022	1/4-28-48-08	0.080	664	7/16-48	320	227	1/4-28	338	500	90	428	264	390	650
AK000023	1/4-28-48-15	0.150	664	7/16-48	320	297	1/4-28	393	500	90	428	264	390	650

Please Note! Dimensions AJ and AK are relevant only for an application with an insert.

PART NO	J	K	L	M	N	O	P	r	S	T1	U	V	V1	W	Tool
AK000012	81	214	90	164	80	260	68	171	80	221	78	8-32x1/2	8-32x3/4	9/64	TL001012
AK000013	81	214	90	164	130	260	68	171	130	271	78	8-32x5/8	8-32x7/8	9/64	
AK000014	81	214	90	164	80	260	68	171	80	221	78	8-32x1/2	8-32x3/4	9/64	
AK000015	81	214	90	164	130	260	68	171	130	271	78	8-32x5/8	8-32x7/8	9/64	TL001016
AK000016	94	250	100	195	100	323	68	213	100	242	78	10-32x1/2	10-32x7/8	5/32	
AK000017	94	250	100	195	155	323	68	213	157	292	78	10-32x5/8	10-32x1	5/32	
AK000018	94	250	100	195	100	323	68	213	100	242	78	10-32x1/2	10-32x7/8	5/32	TL001020
AK000019	94	250	100	195	155	323	68	213	157	292	78	10-32x5/8	10-32x1	5/32	
AK000020	109	310	120	250	120	385	80	242	120	294	94	1/4-28x5/8	1/4-28x5/8	3/16	
AK000021	109	310	120	250	190	385	80	242	190	364	94	1/4-28x3/4	1/4-28x3/4	3/16	
AK000022	109	310	120	250	120	385	80	242	120	294	94	1/4-28x5/8	1/4-28x5/8	3/16	
AK000023	109	310	120	250	190	385	80	242	190	364	94	1/4-28x3/4	1/4-28x3/4	3/16	

# Dimensions of the features of components of advanced AFAB Kits

**(Blue dimensions in the table)**

