

Dimensions of the features of components of advanced AFAB Kits

Fig. 1. (Blue dimensions in the table)

How to prepare your parts? Machining holes in the base.

Fig. 2 (Red dimensions in the table)

Please note!

1. Preparation of the top plate is the same as for the standard parts and is shown on Sheet 1.
2. The feature denoted by * is optional. Dimensions should be determined by a designer implementing the AFAB kits.

PART NO	a	b	c	d	e	f	g	h	i	j	k	l	m	n	o	p
AK000012	34	200	66	20	284	8-32	355	60	130	490	5/16-32	31	78	7/16-48	45	175
AK000013	34	200	66	20	284	8-32	355	60	130	490	5/16-32	31	78	7/16-48	45	225
AK000014	34	200	66	20	284	8-32	355	60	130	490	5/16-56	31	78	7/16-48	45	175
AK000015	34	200	66	20	284	8-32	355	60	130	490	5/16-56	31	78	7/16-48	45	225
AK000016	40	250	69	20	347	10-32	400	71	150	650	3/8-32	31	94	9/16-32	39	193
AK000017	40	250	69	20	347	10-32	400	71	150	650	3/8-32	31	94	9/16-32	39	273
AK000018	40	250	69	20	347	10-32	400	71	150	650	3/8-56	31	94	9/16-32	39	193
AK000019	40	250	69	20	347	10-32	400	71	150	650	3/8-56	31	94	9/16-32	39	273
AK000020	50	278	90	15	380	1/4-28	512	90	197	650	7/16-28	31	94	9/16-32	39	227
AK000021	50	278	90	15	380	1/4-28	512	90	197	650	7/16-28	31	94	9/16-32	39	297
AK000022	50	278	90	15	380	1/4-28	512	90	197	650	7/16-48	31	94	9/16-32	39	227
AK000023	50	278	90	15	380	1/4-28	512	90	197	650	7/16-48	31	94	9/16-32	67	297

PART NO	q	s	t	u	v	w	x	y	z	AA	AB	AC	AD	AE	AF	AG	AH
AK000012	*		*														
AK000013	*		*														
AK000014	*		*														
AK000015	*		*														
AK000016	*		*														
AK000017	*		*														
AK000018	*		*														
AK000019	*		*														
AK000020	*		*														
AK000021	*		*														
AK000022	*		*														
AK000023	*		*														

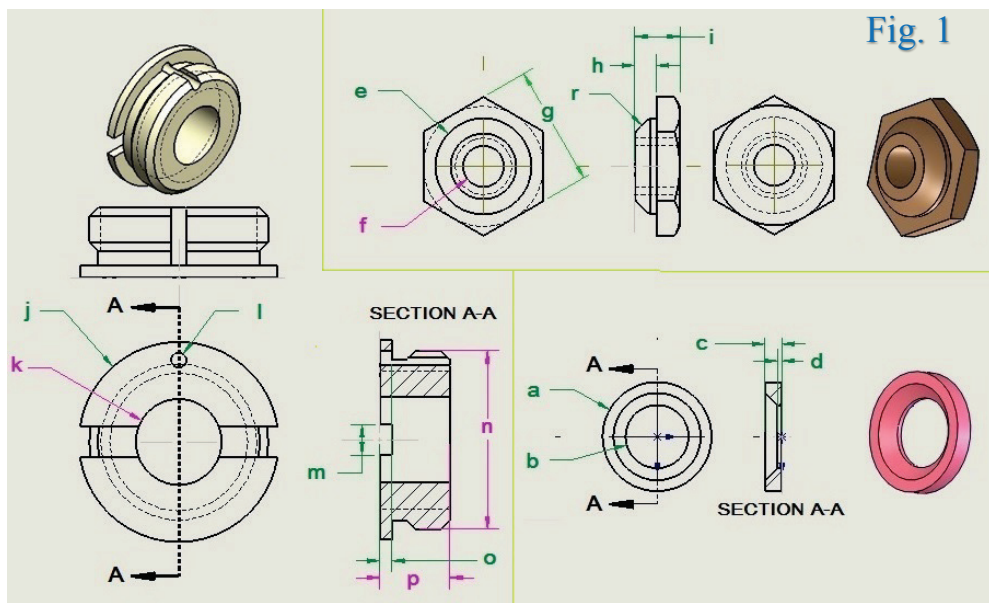


Fig. 1

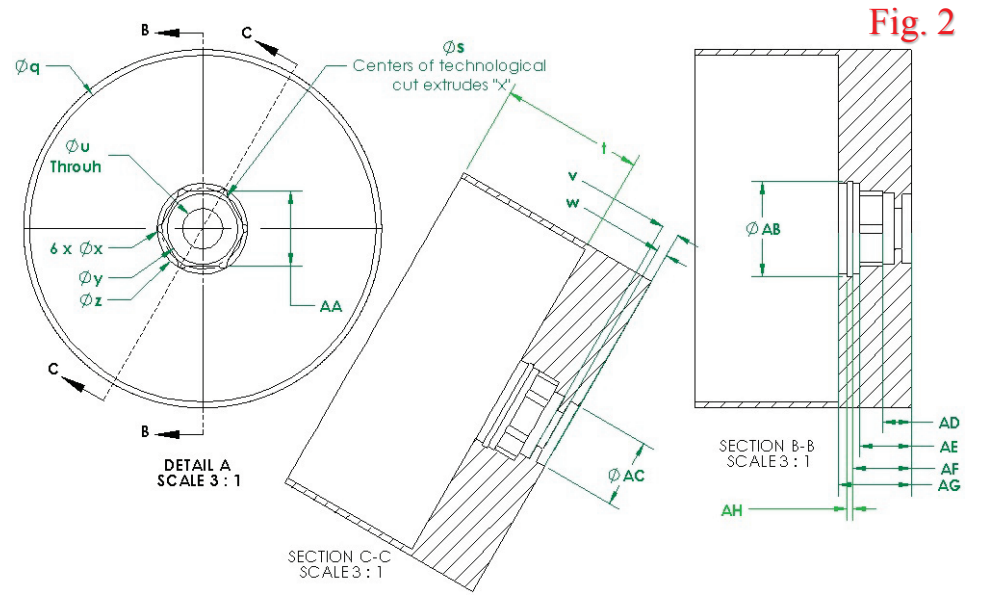


Fig. 2