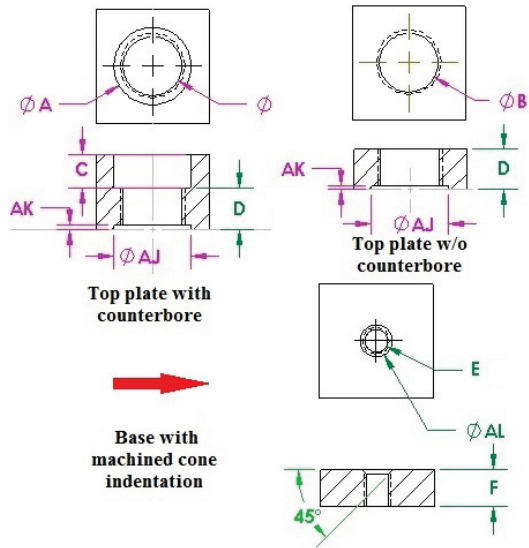


# How to prepare your parts?

(for the base with machined cone indentation – advanced version of the base is shown on Sheet 2)

**(Red dimensions in the table)**



November 2017

AFAB Kit ALIGNMENT ASSEMBLY - CHART 3 ADV – Sheet 1  
AK000 FAMILY CHART – GENERAL DIMENSIONS (IMPERIAL)

NOTE! All dimensions are expressed in 0.001" unless otherwise specified

PART NO	CONFIGUR.	Stroke	A	B=Q	C	D	E	Fmin	AJ	AK	AL	G	H	I
AK000024	5/16-24-24-09	90	758	1/2-24	395	255	5/16-24	297				328	485	742
AK000025	5/16-24-24-18	180	758	1/2-24	395	345	5/16-24	457				328	485	742
AK000026	5/16-24-40-09	90	758	1/2-40	395	255	5/16-24	297				328	485	742
AK000027	5/16-24-40-18	180	758	1/2-40	395	345	5/16-24	457				328	485	742
AK000028	3/8-24-24-11	110	948	5/8-24	475	285	3/8-24	375				409	646	930
AK000029	3/8-24-24-22	220	948	5/8-24	475	395	3/8-24	515				409	646	930
AK000030	3/8-24-40-11	110	948	5/8-40	475	285	3/8-24	375				409	646	930
AK000031	3/8-24-40-22	220	948	5/8-40	475	395	3/8-24	515				409	646	930
AK000032	1/2-13-20-15	150	1218	13/16-20	630	350	1/2-20	405				520	770	1200
AK000033	1/2-13-20-30	300	1218	13/16-20	630	500	1/2-20	630				520	770	1200
AK000034	1/2-13-32-15	150	1218	13/16-32	630	350	1/2-20	405				520	770	1200
AK000035	1/2-13-32-30	300	1218	13/16-32	630	500	1/2-20	630				520	770	1200

**Please Note!** Dimensions AJ and AK are relevant only for an application with an insert.

PART NO	J	K	L	M	N	O	P	r	S	T1	U	V	V1	W	Tool
AK000024	109	386	130	315	130	448	80		130		94	5/16-24x5/8		9/64	TL001024
AK000025	109	386	130	315	220	448	80		220		94	5/16-24x7/8		9/64	
AK000026	109	386	130	315	130	448	80		130		94	5/16-24x5/8		9/64	
AK000027	109	386	130	315	220	448	80		220		94	5/16-24x7/8		9/64	
AK000028	109	484	140	394	160	551	90		160		110	3/8-24x3/4		5/32	TL001028
AK000029	109	484	140	394	270	551	90		270		110	3/8-24x1		5/32	
AK000030	109	484	140	394	160	551	90		160		110	3/8-24x3/4		5/32	
AK000031	109	484	140	394	270	551	90		270		110	3/8-24x1		5/32	TL001032
AK000032	128	620	150	500	200	735	100		200		110	1/2-13x7/8		3/16	
AK000033	128	620	150	500	350	735	100		350		110	1/2-13x5/4		3/16	
AK000034	128	620	150	500	200	735	100		200		110	1/2-13x7/8		3/16	
AK000035	128	620	150	500	350	735	100		350		110	1/2-13x5/4		3/16	

# Dimensions of the features of components of advanced AFAB Kits

**(Blue dimensions in the table)**

