

# Dimensions of the features of components of advanced AFAB Kits

Fig. 1. (Blue dimensions in the table)

## How to prepare your parts? Machining holes in the base.

Fig. 2 (Red dimensions in the table)

### Please note!

1. Preparation of the top plate is the same as for the standard parts and is shown on Sheet 1.
2. The feature denoted by \* is optional. Dimensions should be determined by a designer implementing the AFAB kits.

PART NO	a	b	c	d	e	f	g	h	i	j	k	l	m	n	o	p
AK000012																
AK000013																
AK000014																
AK000015																
AK000016																
AK000017																
AK000018																
AK000019																
AK000020																
AK000021																
AK000022																
AK000023																

PART NO	q	s	t	u	v	w	x	y	z	AA	AB	AC	AD	AE	AF	AG	AH
AK000012	*		*														
AK000013	*		*														
AK000014	*		*														
AK000015	*		*														
AK000016	*		*														
AK000017	*		*														
AK000018	*		*														
AK000019	*		*														
AK000020	*		*														
AK000021	*		*														
AK000022	*		*														
AK000023	*		*														

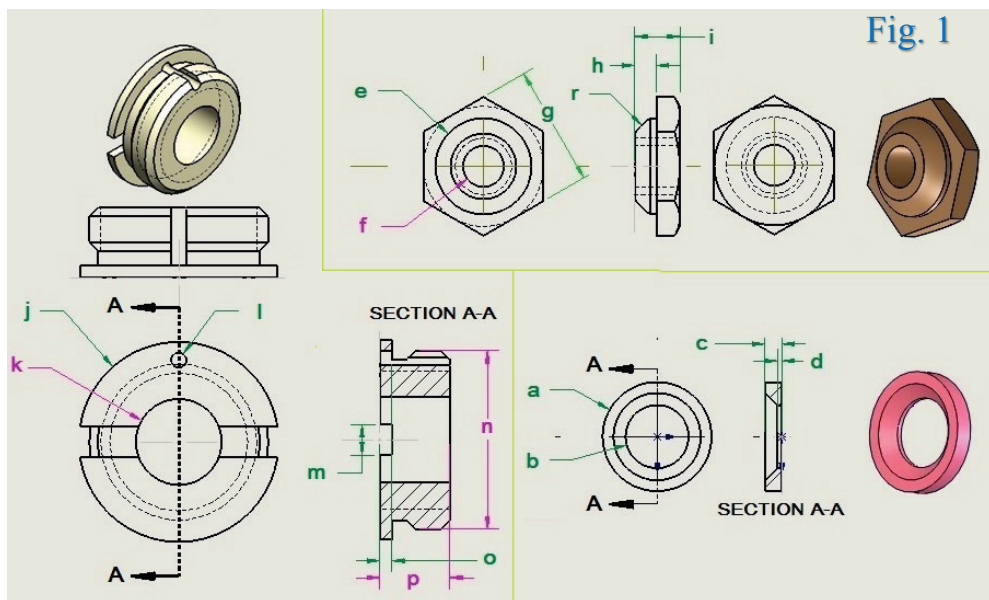


Fig. 1

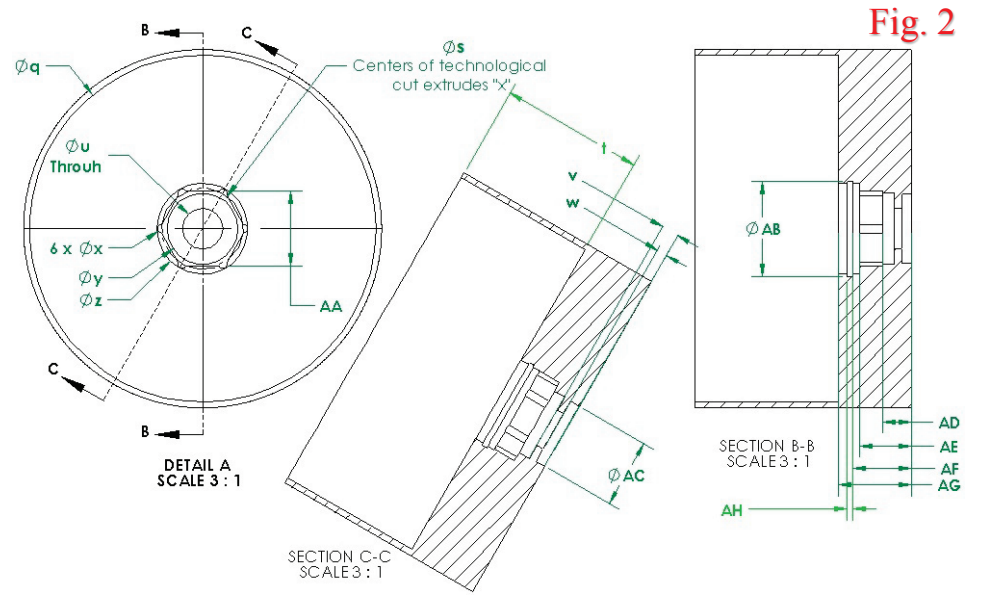


Fig. 2