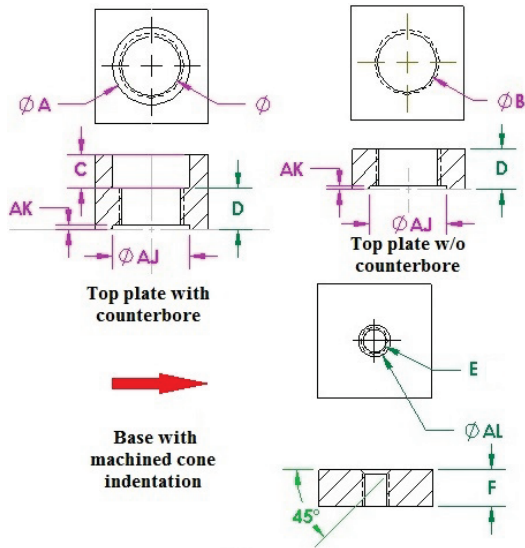


How to prepare your parts?

(for the base with machined cone indentation – advanced version of the base is shown on Sheet 2)

(Red dimensions in the table)



November 2017

AFAB Kit ALIGNMENT ASSEMBLY - CHART 1 ADV – Sheet 1
AK000 FAMILY CHART – GENERAL DIMENSIONS (IMPERIAL)

NOTE! All dimensions are expressed in 0.001" unless otherwise specified

PART NO	CONFIGUR.	Stroke	A	B=Q	C	D	E	Fmin	AJ	AK	AL	G	H	I
AK000050	2.0-4-7-8	0.8	7.3	M4/.7	3.1	3.4	2.0-4	3				2.3	4.2	7.0
AK000051	2.0-4-7-1.6	1.6	7.3	M4/.7	3.1	4.2	2.0-4	4.2				2.3	4.2	7.0
AK000052	2.0-4-35-8	0.8	7.3	M4/.35	3.1	3.4	2.0-4	3				2.3	4.2	7.0
AK000053	2.0-4-35-	1.6	7.3	M4/.35	3.1	4.2	2.0-4	4.2				2.3	4.2	7.0
AK000054	3.0-5-7-1.0	1.0	10.3	M6/.75	4.3	3.9	3.0-5	4.3	11.0	0.63	4.57	3.2	5.8	10
AK000055	3.0-5-7-2.0	2.0	10.3	M6/.75	4.3	4.9	3.0-5	5.3	11.0	0.63	4.57	3.2	5.8	10
AK000056	3.0-5-35-	1.0	10.3	M6/.35	4.3	3.9	3.0-5	4.3	11.0	0.63	4.57	3.2	5.8	10
AK000057	3.0-5-35-	2.0	10.3	M6/.35	4.3	4.9	3.0-5	5.3	11.0	0.63	4.57	3.2	5.8	10
AK000058	3.5-6-1.0-	1.1	11.8	M7/1.0	4.9	5.1	3.5-6	5.1	11.0	0.63		3.8	6.6	11.5
AK000059	3.5-6-1.0-	2.2	11.8	M7/1.0	4.9	6.2	3.5-6	5.9	11.0	0.63		3.8	6.6	11.5
AK000060	3.5-6-75-	1.1	11.8	M7/.75	4.9	5.1	3.5-6	5.1	11.0	0.63		3.8	6.6	11.5
AK000061	3.5-6-75-	2.2	11.8	M7/.75	4.9	6.2	3.5-6	5.9	11.0	0.63		3.8	6.6	11.5

Please Note! Dimensions AJ and AK are relevant only for an application with an insert.

PART NO	J	K	L	M	N	O	P	r	S	Tl	U	V	Vl	W	Tool
AK000050	1.6	2.8	1.5	2.0	1.6	3.2	0.7 - 0.05		1.6		0.8 + 0.05	2.0-4x8		1.5	TL001050
AK000051	1.6	2.8	1.5	2.0	2.4	3.2	0.7 - 0.05		2.4		0.8 + 0.05	2.0-4x10		1.5	TL001050
AK000052	1.6	2.8	1.5	2.0	1.6	3.2	0.7 - 0.05		1.6		0.8 + 0.05	2.0-4x8		1.5	TL001050
AK000053	1.6	2.8	1.5	2.0	2.4	3.2	0.7 - 0.05		2.4		0.8 + 0.05	2.0-4x10		1.5	TL001050
AK000054	1.6	4.0	1.8	3.0	1.8	4.9	1.0	3.07	1.8	4.37	1.2	3.0-5x10	3.0-5x12	2.5	TL001054
AK000055	1.6	4.0	1.8	3.0	2.8	4.9	1.0	3.07	2.8	5.39	1.2	3.0-5x12	3.0-5x14	2.5	TL001054
AK000056	1.6	4.0	1.8	3.0	1.8	4.9	1.0	3.07	1.8	4.37	1.2	3.0-5x10	3.0-5x12	2.5	TL001054
AK000057	1.6	4.0	1.8	3.0	2.8	4.9	1.0	3.07	2.8	5.39	1.2	3.0-5x12	3.0-5x14	2.5	TL001054
AK000058	1.8	4.6	2.0	3.5	1.9	5.8	1.3		1.9		1.57	3.5-6x12		3.0	TL001058
AK000059	1.8	4.6	2.0	3.5	3.0	5.8	1.3		3.0		1.57	3.5-6x14		3.0	TL001058
AK000060	1.8	4.6	2.0	3.5	1.9	5.8	1.3		1.9		1.57	3.5-6x12		3.0	TL001058
AK000061	1.8	4.6	2.0	3.5	3.0	5.8	1.3		3.0		1.57	3.5-6x14		3.0	TL001058

Dimensions of the features of components of advanced AFAB Kits

(Blue dimensions in the table)

