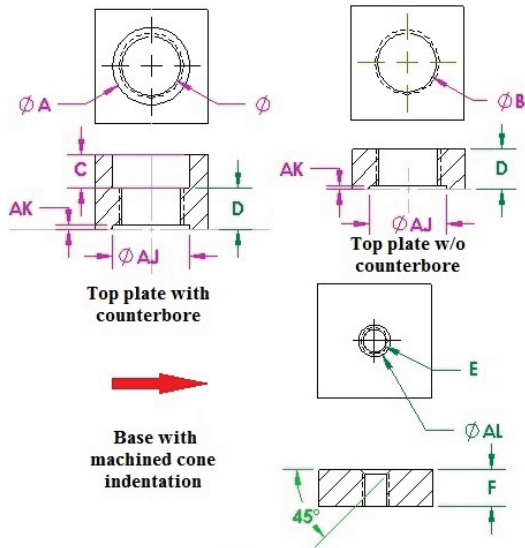


# How to prepare your parts?

(for the base with machined cone indentation – advanced version of the base is shown on Sheet 2)

**(Red dimensions in the table)**



November 2017

AFAB Kit ALIGNMENT ASSEMBLY - CHART 5 ADV – Sheet 1  
AK000 FAMILY CHART – GENERAL DIMENSIONS (IMPERIAL)

NOTE! All dimensions are expressed in 0.001" unless otherwise specified

PART NO	CONFIGUR.	Stroke	A	B=Q	C	D	E	Fmin	AJ	AK	AL	G	H	I
AK000062	4.0-7-1.0-	1.3	13.3	M8/1.0	5.6	5.3	4.0-7	6.6				4.3	7.3	13
AK000063	4.0-7-1.0-	2.6	13.3	M8/1.0	5.6	6.6	4.0-7	7.3				4.3	7.3	13
AK000064	4.0-7-75-	1.3	13.3	M8/.75	5.6	5.3	4.0-7	6.6				4.3	7.3	13
AK000065	4.0-7-75-	2.6	13.3	M8/.75	5.6	6.6	4.0-7	7.3				4.3	7.3	13
AK000066	5.0-8-1.25-	1.5	16.3	M10/1.25	6.7	6.5	5.0-8	7.1				5.35	8.85	16
AK000067	5.0-8-1.25-	3.0	16.3	M10/1.25	6.7	8.0	5.0-8	7.6				5.35	8.85	16
AK000068	5.0-8-75-	1.5	16.3	M10/.75	6.7	6.5	5.0-8	7.1				5.35	8.85	16
AK000069	5.0-8-75-	3.0	16.3	M10/.75	6.7	8.0	5.0-8	7.6				5.35	8.85	16
AK000070	6.0-1.0-1.25-	2.0	17.1	M11/1.25	7.8	7.0	6.0-1.0	6.5				6.4	10.4	16.5
AK000071	6.0-1.0-1.25-	4.0	17.1	M11/1.25	7.8	9.0	6.0-1.0	8.5				6.4	10.4	16.5
AK000072	6.0-1.0-75-	2.0	17.1	M11/.75	7.8	7.0	6.0-1.0	6.5				6.4	10.4	16.5
AK000073	6.0-1.0-75-	4.0	17.1	M11/.75	7.8	9.0	6.0-1.0	8.5				6.4	10.4	16.5

**Please Note! Dimensions AJ and AK are relevant only for an application with an insert.**

PART NO	J	K	L	M	N	O	P	r	S	Tl	U	V	V1	W	Tool
AK000062	2.0	5.3	2.3	4.0	2.1	6.6	1.7		2.1		1.97	4.0-7/14		3.0	TL001062
AK000063	2.0	5.3	2.3	4.0	3.4	6.6	1.7		3.4		1.97	4.0-7/16		3.0	TL001063
AK000064	2.0	5.3	2.3	4.0	2.1	6.6	1.7		2.1		1.97	4.0-7/14		3.0	TL001064
AK000065	2.0	5.3	2.3	4.0	3.4	6.6	1.7		3.4		1.97	4.0-7/16		3.0	TL001065
AK000066	2.4	6.4	2.5	5.0	2.55	8.2	1.7		2.5		1.97	5.0-8/16		4.0	TL001066
AK000067	2.4	6.4	2.5	5.0	4.0	8.2	1.7		4.0		1.97	5.0-8/18		4.0	TL001067
AK000068	2.4	6.4	2.5	5.0	2.55	8.2	1.7		2.5		1.97	5.0-8/16		4.0	TL001068
AK000069	2.4	6.4	2.5	5.0	4.0	8.2	1.7		4.0		1.97	5.0-8/18		4.0	TL001069
AK000070	2.8	7.5	3.0	6.0	3.0	9.4	2.0		3.0		2.4	6.0-1.0/16		5.0	TL001070
AK000071	2.8	7.5	3.0	6.0	5.0	9.4	2.0		5.0		2.4	6.0-1.0/20		5.0	TL001071
AK000072	2.8	7.5	3.0	6.0	3.0	9.4	2.0		3.0		2.4	6.0-1.0/16		5.0	TL001072
AK000073	2.8	7.5	3.0	6.0	5.0	9.4	2.0		5.0		2.4	6.0-1.0/20		5.0	TL001073

# Dimensions of the features of components of advanced AFAB Kits

**(Blue dimensions in the table)**

