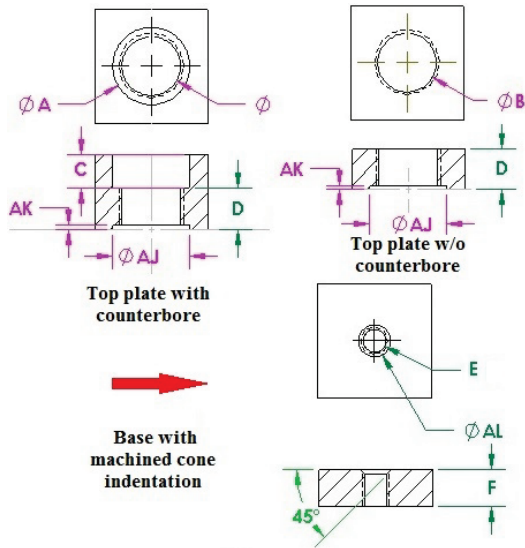


# How to prepare your parts?

(for the base with machined cone indentation – advanced version of the base is shown on Sheet 2)

**(Red dimensions in the table)**



November 2017

AFAB Kit ALIGNMENT ASSEMBLY - CHART 6 ADV – Sheet 1  
AK000 FAMILY CHART – GENERAL DIMENSIONS (IMPERIAL)

NOTE! All dimensions are expressed in 0.001" unless otherwise specified

PART NO	CONFIGUR.	Stroke	A	B=Q	C	D	E	Fmin	AJ	AK	AL	G	H	I
HD001074	8.0-1.25-1.5-	2.3	18.4	M12/1.5	10.1	8.3	8.-1.25	8.9				8.4	13.4	18
HD001075	8.0-1.25-1.5-	4.6	18.4	M12/1.5	10.1	10.1	8.-1.25	12.1				8.4	13.4	18
HD001076	8.0-1.25-1.0-	2.3	18.4	M12/1.0	10.1	8.3	8.-1.25	8.9				8.4	13.4	18
HD001077	8.0-1.25-1.0-	4.6	18.4	M12/1.0	10.1	10.1	8.-1.25	12.1				8.4	13.4	18
HD001078	10.-1.5-1.5-	2.8	24.4	M16/1.5	12.6	8.8	10.-1.5	9.7				10.4	16.4	23.6
HD001079	10.-1.5-1.5-	5.6	24.4	M16/1.5	12.6	11.6	10.-1.5	14.9				10.4	16.4	23.6
HD001080	10.-1.5-1.0-	2.8	24.4	M16/1.0	12.6	8.8	10.-1.5	9.7				10.4	16.4	23.6
HD001081	10.-1.5-1.0-	5.6	24.4	M16/1.0	12.6	11.6	10.-1.5	14.9				10.4	16.4	23.6
HD001082	12.-1.75-	3.8	30.4	M20/1.75	15.3	10.8	12.-	15				12.5	18.5	30
HD001083	12.-1.75-	7.6	30.4	M20/1.75	15.3	14.6	12.-	16.2				12.5	18.5	30
HD001084	12.-1.75-1.0-	3.8	30.4	M20/1.0	15.3	10.8	12.-	15				12.5	18.5	30
HD001085	12.-1.75-1.0-	7.6	30.4	M20/1.0	15.3	14.6	12.-	16.2				12.5	18.5	30

**Please Note! Dimensions AJ and AK are relevant only for an application with an insert.**

PART NO	J	K	L	M	N	O	P	r	S	T1	U	V	V1	W	Tool
HD001074	2.6	9.8	3.3	8	3.3	9.8	2.1		3.3		2.39	8.-1.25/20		6.0	TL001074
HD001075	2.6	9.8	3.3	8	5.6	9.8	2.1		5.6		2.39	8.-1.25/25		6.0	TL001074
HD001076	2.6	9.8	3.3	8	3.3	9.8	2.1		3.3		2.39	8.-1.25/20		6.0	TL001074
HD001077	2.6	9.8	3.3	8	5.6	9.8	2.1		5.6		2.39	8.-1.25/25		6.0	TL001074
HD001078	2.9	12.3	3.6	10	4.0	14.0	2.3		4.0		2.76	10.-1.5/22		8.0	TL001078
HD001079	2.9	12.3	3.6	10	6.8	14.0	2.3		6.8		2.76	10.-1.5/30		8.0	TL001078
HD001080	2.9	12.3	3.6	10	4.0	14.0	2.3		4.0		2.76	10.-1.5/22		8.0	TL001078
HD001081	2.9	12.3	3.6	10	6.8	14.0	2.3		6.8		2.76	10.-1.5/30		8.0	TL001078
HD001082	3.2	15.0	3.8	12	5.0	17.8	2.3		5.0		2.76	12.-1.75/30		10.0	TL001082
HD001083	3.2	15.0	3.8	12	8.6	17.8	2.3		8.6		2.76	12.-1.75/35		10.0	TL001082
HD001084	3.2	15.0	3.8	12	5.0	17.8	2.3		5.0		2.76	12.-1.75/30		10.0	TL001082
HD001085	3.2	15.0	3.8	12	8.6	17.8	2.3		8.6		2.76	12.-1.75/35		10.0	TL001082

# Dimensions of the features of components of advanced AFAB Kits

**(Blue dimensions in the table)**

